

Series N filters and coalescing filters

Ports G1/8, G1/4
with screw-on transparent bowl



Series N filters are available with G1/8 and G1/4 gas ports. The transparent bowl makes the monitoring of the condensate levels very easy and is equipped with manual and semiautomatic drain. The models are available with 3 different filtering elements: 25µm, 5µm and 0,01µm.

GENERAL DATA

Construction	HDPE filtering element
Materials	brass, grillamid, NBR
Ports	G1/8 - G1/4
Max. condensate capacity	size 1 = 11 cm ³ - size 2 = 28 cm ³
Weight	Kg 0.220
Mounting	vertical, inline
Operating temperature	-5°C ÷ 50°C at 10 bar (with the dew point of the fluid lower than 2°C at the min. working temperature)
Porosity of filtering element	25 µm (standard); 5 µm (on request); 0,01 µm
Draining of condensate	semiautomatic, manual
Operating pressure	0,3 ÷ 16 bar (with depressurisation max 10 bar)
Nominal flow	see graphs

CODING EXAMPLE

N	2	04	-	F	0	0
----------	----------	-----------	----------	----------	----------	----------

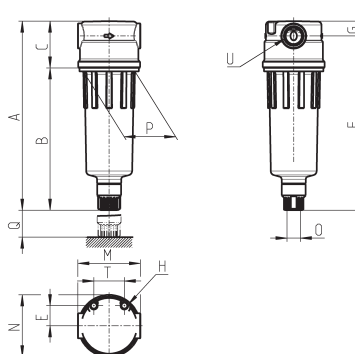
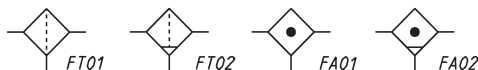
N	SERIES
2	SIZE: 1 = small bowl 2 = normal bowl
04	PORTS: 08 = G1/8 04 = G1/4
F	F = FILTER
0	FILTERING ELEMENT: 0 = 25µm (standard) 1 = 5µm B = 0.01µm
0	DRAINING OF CONDENSATE: 0 = manual - semiautomatic drain 4 = depressurisation - only normal bowl (2) 5 = depressurisation, protected - only normal bowl (2) 8 = no drain, port G1/8

3

TREATMENT

Filters Series N

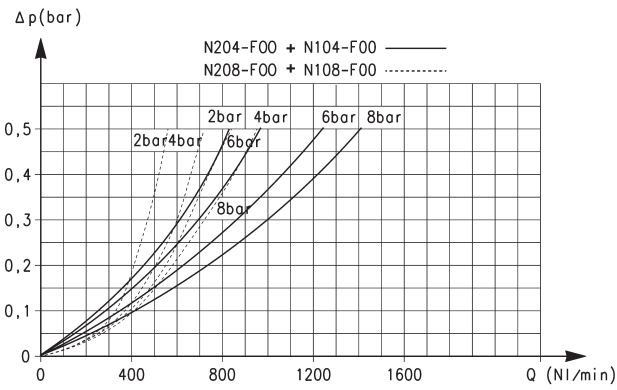

FT01 = filter without drain with threaded port
 FT02 = filter with semiautomatic manual drain
 FA01 = coalescing filter without drain with threaded port
 FA02 = coalescing filter with semi-automatic manual drain


DIMENSIONS

Mod.	A	B	C	E	F	G	H	M	N	O	P	Q	T	U
N108-F00	111	78	33	14,5	101	10	M5	45	44,5	G1/8	38	40	22	G1/8
N104-F00	111	78	33	14,5	101	10	M5	45	44,5	G1/8	38	40	22	G1/4
N208-F00	135	102	33	14,5	125	10	M5	45	44,5	G1/8	38	40	22	G1/8
N204-F00	135	102	33	14,5	125	10	M5	45	44,5	G1/8	38	40	22	G1/4

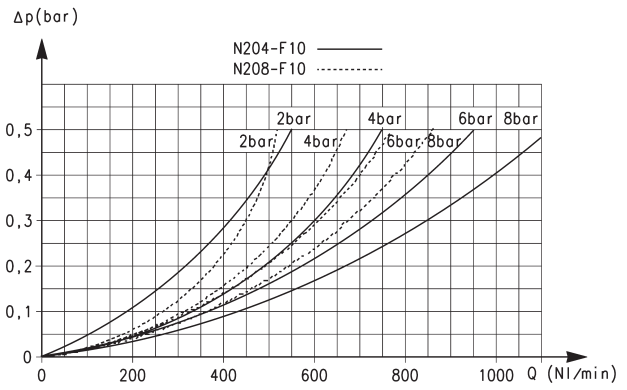
3/4.05.02

FLOW DIAGRAMS



Flow diagram for models:
 N204-F00 - N104-F00 = _____
 N208-F00 - N108-F00 = - - - - -

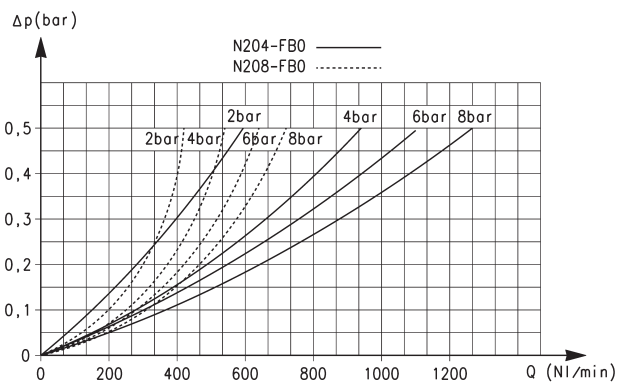
ΔP = Pressure drop
 Q = Flow



Flow diagram for models:
 N204-F10 = _____
 N208-F10 = - - - - -

ΔP = Pressure drop
 Q = Flow

FLOW DIAGRAMS



Flow diagram for models:
 N204-FB0 = _____
 N208-FB0 = - - - - -

ΔP = Pressure drop
 Q = Flow