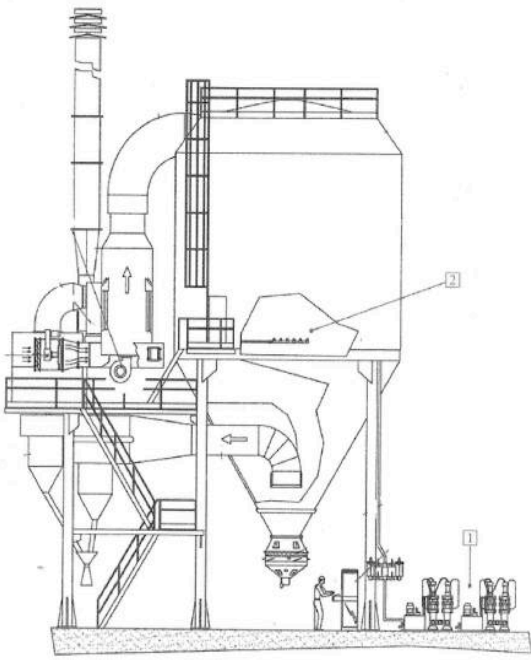
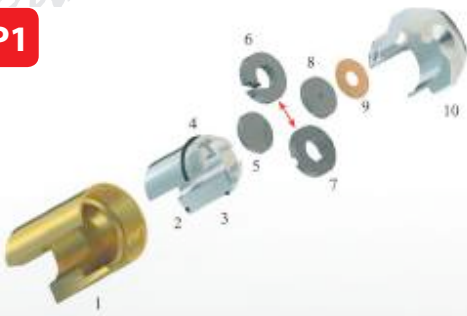


Ugelli per atomizzatore

Spry dryers nozzles



P1



1) CORPO 3/8 - 3/4
HOLDER 3/8 - 3/4

P2



2) GUARNIZIONE
O-RING

3) DISTRIBUTORE
CENTRAL CORE

4) GUARNIZIONE
O-RING

P3

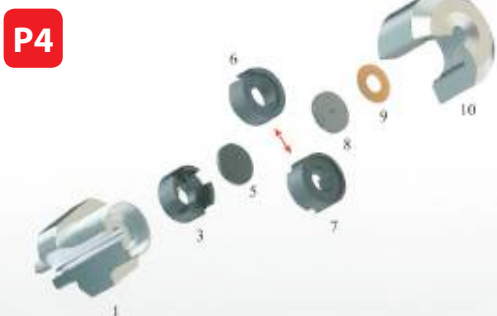


5) PIASTRINA
TUNGSTENO
TUNGSTENO PLATE

6) CHIOCCIOLA 1 VIA
ONE WAY SWIRL
CHAMBER

7) CHIOCCIOLA 3 VIE
3 WAYS SWIRL
CHAMBER

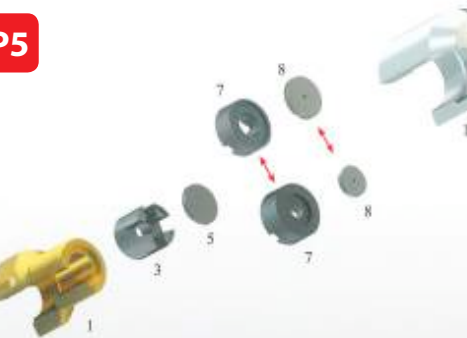
P4



8) UGELLO CARBURO
TUNGSTENO
TUNGSTENO BORED
PLATE

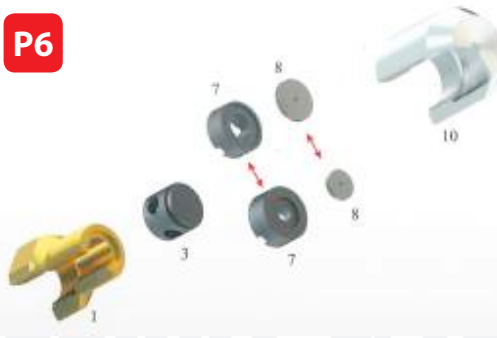
9) RONDELLA RAME
COPPER WASHER

P5



10) TESTA
HEAD

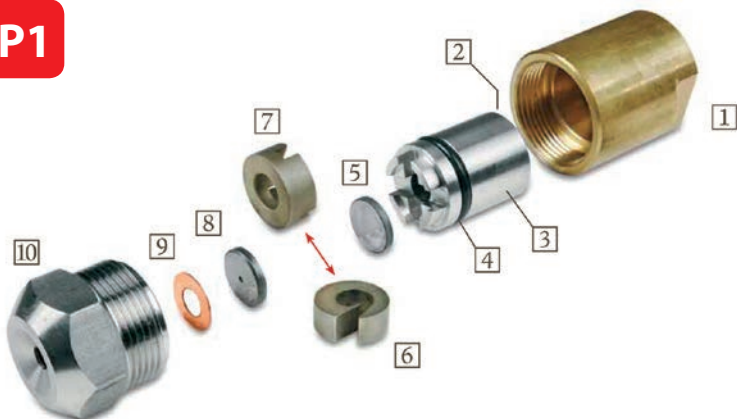
P6



Ugelli per atomizzatore

Spry dryers nozzles

P1



CODICE CODE	DESCRIZIONE DESCRIPTION	POS.	CODICE CODE	DESCRIZIONE DESCRIPTION	POS.
	Corpo P1 Body P1			Chiocciola 3 Vie Carbuoro Tungsteno 3 Ways Swirl Tungsten Carbide	
04700	3/8"	1	05305WCI	H=5 mm	7
04734	3/4"	1	05306WCI	H=6 mm	7
04800	Guarnizione O-R Packing o-r / Gasket O-R	2	05307WCI	H=7 mm	7
04900	Distributore P1 Distributor P1	3	05385WCI	H=8,5 mm	7
05000	Guarnizione O-R Packing O-R	4	05310WCI	H=10 mm	7
05100	Piastrina Carbuoro Tungsteno Plate Tungsten Carbide	5	05312WCI	H=12 mm	7
	Chiocciola 1 Via Acciaio Sinterizzato 1 Way Swirl Sintered Steel			Ugello Carbuoro Tungsteno 19x3 Spray Nozzle Tungsten Carbide 19x3	
05204	H=4 mm	6	054007	Foro . Hole 0.7 mm	8
05205	H=5 mm	6	054008	Foro . Hole 0.8 mm	8
05206	H=6 mm	6	054010	Foro . Hole 1.0 mm	8
05207	H=7 mm	6	054012	Foro . Hole 1.2 mm	8
05208	H=8 mm	6	054013	Foro . Hole 1.3 mm	8
052010	H=10 mm	6	054014	Foro . Hole 1.4 mm	8
052012	H=12 mm	6	054015	Foro . Hole 1.5 mm	8
052014	H=14 mm	6	054016	Foro . Hole 1.6 mm	8
	Chiocciola 1 Via Carbuoro Tungsteno 1 Way Swirl Tungsten Carbide		054017	Foro . Hole 1.7 mm	8
05204W	H=4 mm	6	054018	Foro . Hole 1.8 mm	8
05205W	H=5 mm	6	054019	Foro . Hole 1.9 mm	8
05206W	H=6 mm	6	054020	Foro . Hole 2.0 mm	8
05207W	H=7 mm	6	054021	Foro . Hole 2.1 mm	8
05208W	H=8 mm	6	054022	Foro . Hole 2.2 mm	8
052010W	H=10 mm	6	054023	Foro . Hole 2.3 mm	8
052012W	H=12 mm	6	054024	Foro . Hole 2.4 mm	8
	Chiocciola 3 Vie Acciaio Sinterizzato 3 Ways Swirl Sintered Steel		054025	Foro . Hole 2.5 mm	8
05305	H=5 mm	7	054026	Foro . Hole 2.6 mm	8
05306	H=6 mm	7	054027	Foro . Hole 2.7 mm	8
05307	H=7 mm	7	054028	Foro . Hole 2.8 mm	8
053085	H=8,5 mm	7	054030	Foro . Hole 3.0 mm	8
053010	H=10 mm	7	054032	Foro . Hole 3.2 mm	8
053012	H=12 mm	7	054034	Foro . Hole 3.4 mm	8
			054035	Foro . Hole 3.5 mm	8
			054038	Foro . Hole 3.8 mm	8
			054040	Foro . Hole 4.0 mm	8
			054045	Foro . Hole 4.5 mm	8
			054050	Foro . Hole 5.0 mm	8
			05500	Rondella di Rame Copper washer	9
			05600	Testa P1 Head P1	10

Ugelli per atomizzatore

Spry dryers nozzles

P2



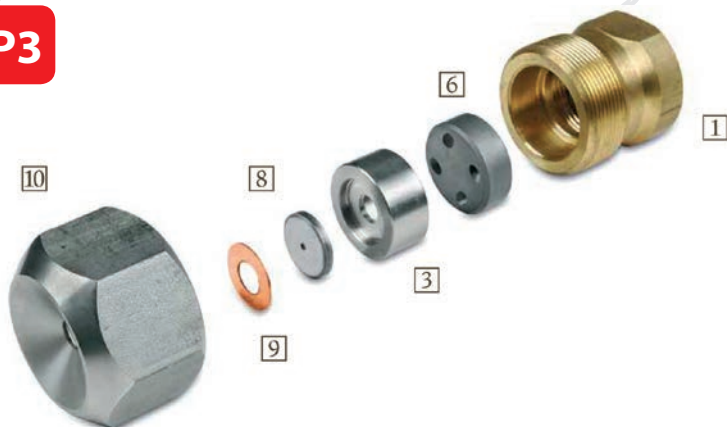
CODICE CODE	DESCRIZIONE DESCRIPTION	POS.
	Corpo P2 Body P2	
03000	3/8"	1
03034	3/4"	1
03100	Rondella Alluminio Alluminium Washer	2
03200	Distributore P2 Distributor P2	3
05100	Piastrina Carburo Tungsteno Plate Tungsten Carbide	5
	Chiocciola 1 Via Acciaio Sinterizzato 1 Way Swirl Sintered Steel	
05204	H=4 mm	6
05205	H=5 mm	6
05206	H=6 mm	6
05207	H=7 mm	6
05208	H=8 mm	6
052010	H=10 mm	6
052012	H=12 mm	6
052014	H=14 mm	6
	Chiocciola 1 Via Carburo Tungsteno 1 Way Swirl Tungsten Carbide	
05204W	H=4 mm	6
05205W	H=5 mm	6
05206W	H=6 mm	6
05207W	H=7 mm	6
05208W	H=8 mm	6
052010W	H=10 mm	6
052012W	H=12 mm	6
	Chiocciola 3 Vie Acciaio Sinterizzato 3 Ways Swirl Sintered Steel	
05305	H=5 mm	7
05306	H=6 mm	7
05307	H=7 mm	7
053085	H=8,5 mm	7
053010	H=10 mm	7
053012	H=12 mm	7

CODICE CODE	DESCRIZIONE DESCRIPTION	POS.
	Chiocciola 3 Vie Carburo Tungsteno 3 Ways Swirl Tungsten Carbide	
05305WCI	H=5 mm	7
05306WCI	H=6 mm	7
05307WCI	H=7 mm	7
05385WCI	H=8,5 mm	7
05310WCI	H=10 mm	7
05312WCI	H=12 mm	7
	Ugello Carburo Tungsteno 19x3 Spray Nozzle Tungsten Carbide 19x3	
054007	Foro . Hole 0.7 mm	8
054008	Foro . Hole 0.8 mm	8
054010	Foro . Hole 1.0 mm	8
054012	Foro . Hole 1.2 mm	8
054013	Foro . Hole 1.3 mm	8
054014	Foro . Hole 1.4 mm	8
054015	Foro . Hole 1.5 mm	8
054016	Foro . Hole 1.6 mm	8
054017	Foro . Hole 1.7 mm	8
054018	Foro . Hole 1.8 mm	8
054019	Foro . Hole 1.9 mm	8
054020	Foro . Hole 2.0 mm	8
054021	Foro . Hole 2.1 mm	8
054022	Foro . Hole 2.2 mm	8
054023	Foro . Hole 2.3 mm	8
054024	Foro . Hole 2.4 mm	8
054025	Foro . Hole 2.5 mm	8
054026	Foro . Hole 2.6 mm	8
054027	Foro . Hole 2.7 mm	8
054028	Foro . Hole 2.8 mm	8
054030	Foro . Hole 3.0 mm	8
054032	Foro . Hole 3.2 mm	8
054034	Foro . Hole 3.4 mm	8
054035	Foro . Hole 3.5 mm	8
054038	Foro . Hole 3.8 mm	8
054040	Foro . Hole 4.0 mm	8
054045	Foro . Hole 4.5 mm	8
054050	Foro . Hole 5.0 mm	8
05500	Rondella di Rame Copper washer	9
03300	Testa P2 Head P2	10

Ugelli per atomizzatore

Spry dryers nozzles

P3

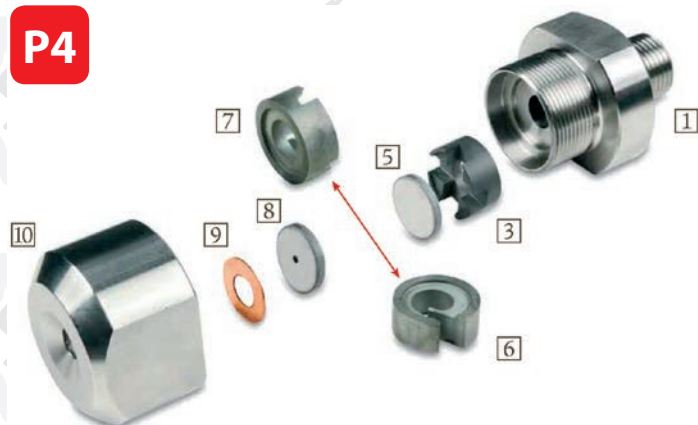


CODICE CODE	DESCRIZIONE DESCRIPTION	POS.	CODICE CODE	DESCRIZIONE DESCRIPTION	POS.
	Corpo P3 Body P3			Ugello Carburo Tungsteno 19x3 Spray Nozzle Tungsten Carbide 19x3	
02000	3/8"	1	054007	Foro . Hole 0.7 mm	8
02034	3/4"	1	054008	Foro . Hole 0.8 mm	8
02200	Distributore P3 Acciaio Distributor P3 Steel	3	054010	Foro . Hole 1.0 mm	8
02200W	Distributore P3 Carburo Tungsteno Distributor P3 Tungsten Carbide	3	054012	Foro . Hole 1.2 mm	8
	Chiocciola 4 Vie Carburo Tungsteno 4 Ways Swirl Tungsten Carbide		054013	Foro . Hole 1.3 mm	8
0210435	H=4 mm Foro . Hole 3.5 mm	6	054014	Foro . Hole 1.4 mm	8
02107	H=7 mm	6	054015	Foro . Hole 1.5 mm	8
021010	H=10 mm	6	054016	Foro . Hole 1.6 mm	8
			054017	Foro . Hole 1.7 mm	8
			054018	Foro . Hole 1.8 mm	8
			054019	Foro . Hole 1.9 mm	8
			054020	Foro . Hole 2.0 mm	8
			054021	Foro . Hole 2.1 mm	8
			054022	Foro . Hole 2.2 mm	8
			054023	Foro . Hole 2.3 mm	8
			054024	Foro . Hole 2.4 mm	8
			054025	Foro . Hole 2.5 mm	8
			054026	Foro . Hole 2.6 mm	8
			054027	Foro . Hole 2.7 mm	8
			054028	Foro . Hole 2.8 mm	8
			054030	Foro . Hole 3.0 mm	8
			054032	Foro . Hole 3.2 mm	8
			054034	Foro . Hole 3.4 mm	8
			054035	Foro . Hole 3.5 mm	8
			054038	Foro . Hole 3.8 mm	8
			054040	Foro . Hole 4.0 mm	8
			054045	Foro . Hole 4.5 mm	8
			054050	Foro . Hole 5.0 mm	8
			05500	Rondella di Rame Copper washer	9
			02300	Testa P3 Head P3	10

Ugelli per atomizzatore

Spry dryers nozzles

P4



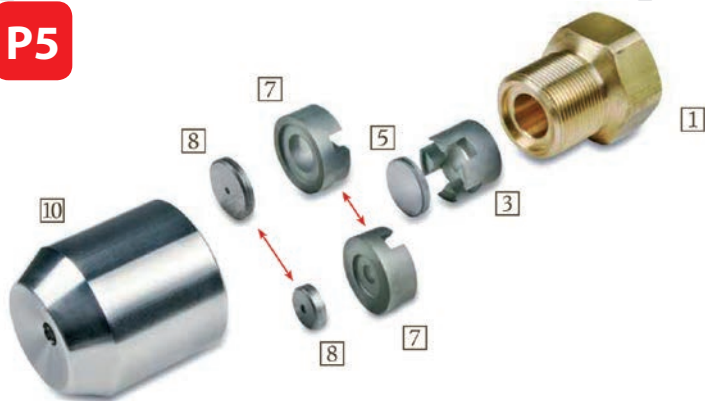
CODICE CODE	DESCRIZIONE DESCRIPTION	POS.
06000	Corpo P4 Body P4	1
	Distributore P4 Carburo Tungsteno Distributor P4 Tungsten Carbide	
06107	H=7 mm	3
061010	H=10 mm	3
05100	Piastrina Carburo Tungsteno Plate Tungsten Carbide	5
	Chiocciola 1 Via Carburo Tungsteno . Sede 19 1 Way Swirl Tungsten Carbide . Seat 19	
052198W	H=8 mm	6
0521910W	H=10 mm	6
	Chiocciola 3 Vie Foro Cilindrico Carburo Tungsteno . Sede 19 3 Ways Swirl Cylindric Hole Tungsten Carbide . Seat 19	
053198W	H=8 mm	7
0531910W	H=10 mm	7

CODICE CODE	DESCRIZIONE DESCRIPTION	POS.
	Ugello Carburo Tungsteno 19x3 Spray Nozzle Tungsten Carbide 19x3	
054007	Foro . Hole 0.7 mm	8
054008	Foro . Hole 0.8 mm	8
054010	Foro . Hole 1.0 mm	8
054012	Foro . Hole 1.2 mm	8
054013	Foro . Hole 1.3 mm	8
054014	Foro . Hole 1.4 mm	8
054015	Foro . Hole 1.5 mm	8
054016	Foro . Hole 1.6 mm	8
054017	Foro . Hole 1.7 mm	8
054018	Foro . Hole 1.8 mm	8
054019	Foro . Hole 1.9 mm	8
054020	Foro . Hole 2.0 mm	8
054021	Foro . Hole 2.1 mm	8
054022	Foro . Hole 2.2 mm	8
054023	Foro . Hole 2.3 mm	8
054024	Foro . Hole 2.4 mm	8
054025	Foro . Hole 2.5 mm	8
054026	Foro . Hole 2.6 mm	8
054027	Foro . Hole 2.7 mm	8
054028	Foro . Hole 2.8 mm	8
054030	Foro . Hole 3.0 mm	8
054032	Foro . Hole 3.2 mm	8
054034	Foro . Hole 3.4 mm	8
054035	Foro . Hole 3.5 mm	8
054038	Foro . Hole 3.8 mm	8
054040	Foro . Hole 4.0 mm	8
054045	Foro . Hole 4.5 mm	8
054050	Foro . Hole 5.0 mm	8
05500	Rondella di Rame Copper washer	9
06200	Testa P4 Head P4	10

Ugelli per atomizzatore

Spry dryers nozzles

P5



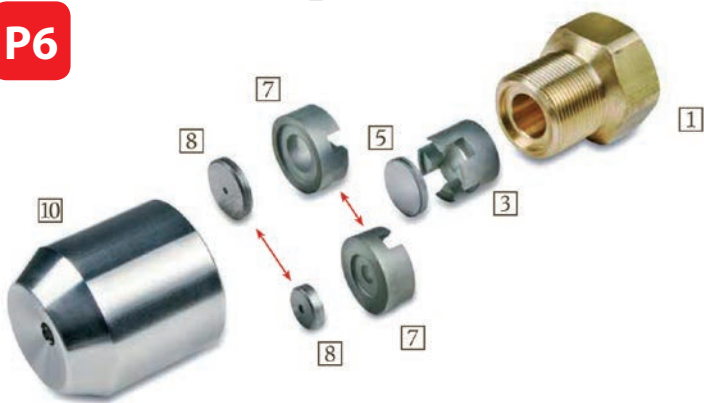
CODICE CODE	DESCRIZIONE DESCRIPTION	POS.
	Corpo P5 Body P5	
04700	3/8"	1
04734	3/4"	1
	Distributore P5 Carburo Tungsteno Distributor P5 Tungsten Carbide	
07115	H=15 mm (7+8)	3
071015	H=15 mm (10+5)	3
05100	Piastrina Carburo Tungsteno Plate Tungsten Carbide	5
	Chiocciola 3 Vie Foro Conico Carburo Tungsteno . Sede 13.6 3 Ways Swirl Conical Hole Tungsten Carbide . Seat 13.6	
0531368W	H=8 mm	7
0531369W	H=9 mm	7
05313610W	H=10 mm	7
05313611W	H=11 mm	7
05313613W	H=13 mm	7
05313615W	H=15 mm	7
	Chiocciola 3 Vie Foro Conico Carburo Tungsteno . Sede 19 3 Ways Swirl Conical Hole Tungsten Carbide . Seat 19	
053198W	H=8 mm	7
0531910W	H=10 mm	7
0531913W	H=13 mm	7
0531915W	H=15 mm	7
	Ugello Carburo Tungsteno 19x3 Spray Nozzle Tungsten Carbide 19x3	
054007	Foro . Hole 0.7 mm	8
054008	Foro . Hole 0.8 mm	8
054010	Foro . Hole 1.0 mm	8
054012	Foro . Hole 1.2 mm	8
054013	Foro . Hole 1.3 mm	8
054014	Foro . Hole 1.4 mm	8
054015	Foro . Hole 1.5 mm	8
054016	Foro . Hole 1.6 mm	8
054017	Foro . Hole 1.7 mm	8
054018	Foro . Hole 1.8 mm	8
054019	Foro . Hole 1.9 mm	8
054020	Foro . Hole 2.0 mm	8

CODICE CODE	DESCRIZIONE DESCRIPTION	POS.
	Ugello Carburo Tungsteno 19x3 Spray Nozzle Tungsten Carbide 19x3	
054021	Foro . Hole 2.1 mm	8
054022	Foro . Hole 2.2 mm	8
054023	Foro . Hole 2.3 mm	8
054024	Foro . Hole 2.4 mm	8
054025	Foro . Hole 2.5 mm	8
054026	Foro . Hole 2.6 mm	8
054027	Foro . Hole 2.7 mm	8
054028	Foro . Hole 2.8 mm	8
054030	Foro . Hole 3.0 mm	8
054032	Foro . Hole 3.2 mm	8
054034	Foro . Hole 3.4 mm	8
054035	Foro . Hole 3.5 mm	8
054038	Foro . Hole 3.8 mm	8
054040	Foro . Hole 4.0 mm	8
054045	Foro . Hole 4.5 mm	8
054050	Foro . Hole 5.0 mm	8
	Ugello Carburo Tungsteno 13.6x3.8 Spray Nozzle Tungsten Carbide 13.6x3.8	
05413614	Foro . Hole 1.4 mm	8
05413616	Foro . Hole 1.6 mm	8
05413618	Foro . Hole 1.8 mm	8
05413620	Foro . Hole 2.0 mm	8
05413621	Foro . Hole 2.1 mm	8
05413622	Foro . Hole 2.2 mm	8
05413624	Foro . Hole 2.4 mm	8
05413625	Foro . Hole 2.5 mm	8
05413626	Foro . Hole 2.6 mm	8
05413628	Foro . Hole 2.8 mm	8
05413630	Foro . Hole 3.0 mm	8
05413632	Foro . Hole 3.2 mm	8
05413635	Foro . Hole 3.5 mm	8
05413638	Foro . Hole 3.8 mm	8
05413640	Foro . Hole 4.0 mm	8
05413645	Foro . Hole 4.5 mm	8
05413650	Foro . Hole 5.0 mm	8
07200	Testa P5 Head P5	10

Ugelli per atomizzatore

Spry dryers nozzles

P6



CODICE CODE	DESCRIZIONE DESCRIPTION	POS.
	Corpo P6 Body P6	
070038	3/8"	1
070034	3/4"	1
07300	Distributore P6 Carburo Tungsteno Distributor P6 Tungsten Carbide	3
	Chiocciola 3 Vie Foro Conico Carburo Tungsteno . Sede 13.6 3 Ways Swirl Conical Hole Tungsten Carbide . Seat 13.6	
0531368W	H=8 mm	7
0531369W	H=9 mm	7
05313610W	H=10 mm	7
05313611W	H=11 mm	7
05313613W	H=13 mm	7
05313615W	H=15 mm	7
	Chiocciola 3 Vie Foro Conico Carburo Tungsteno . Sede 19 3 Ways Swirl Conical Hole Tungsten Carbide . Seat 19	
053198W	H=8 mm	7
0531910W	H=10 mm	7
0531913W	H=13 mm	7
0531915W	H=15 mm	7
	Ugello Carburo Tungsteno 19x3 Spray Nozzle Tungsten Carbide 19x3	
054007	Foro . Hole 0.7 mm	8
054008	Foro . Hole 0.8 mm	8
054010	Foro . Hole 1.0 mm	8
054012	Foro . Hole 1.2 mm	8
054013	Foro . Hole 1.3 mm	8
054014	Foro . Hole 1.4 mm	8
054015	Foro . Hole 1.5 mm	8
054016	Foro . Hole 1.6 mm	8
054017	Foro . Hole 1.7 mm	8
054018	Foro . Hole 1.8 mm	8
054019	Foro . Hole 1.9 mm	8
054020	Foro . Hole 2.0 mm	8

CODICE CODE	DESCRIZIONE DESCRIPTION	POS.
	Ugello Carburo Tungsteno 19x3 Spray Nozzle Tungsten Carbide 19x3	
054021	Foro . Hole 2.1 mm	8
054022	Foro . Hole 2.2 mm	8
054023	Foro . Hole 2.3 mm	8
054024	Foro . Hole 2.4 mm	8
054025	Foro . Hole 2.5 mm	8
054026	Foro . Hole 2.6 mm	8
054027	Foro . Hole 2.7 mm	8
054028	Foro . Hole 2.8 mm	8
054030	Foro . Hole 3.0 mm	8
054032	Foro . Hole 3.2 mm	8
054034	Foro . Hole 3.4 mm	8
054035	Foro . Hole 3.5 mm	8
054038	Foro . Hole 3.8 mm	8
054040	Foro . Hole 4.0 mm	8
054045	Foro . Hole 4.5 mm	8
054050	Foro . Hole 5.0 mm	8
	Ugello Carburo Tungsteno 13.6x3.8 Spray Nozzle Tungsten Carbide 13.6x3.8	
05413614	Foro . Hole 1.4 mm	8
05413616	Foro . Hole 1.6 mm	8
05413618	Foro . Hole 1.8 mm	8
05413620	Foro . Hole 2.0 mm	8
05413621	Foro . Hole 2.1 mm	8
05413622	Foro . Hole 2.2 mm	8
05413624	Foro . Hole 2.4 mm	8
05413625	Foro . Hole 2.5 mm	8
05413626	Foro . Hole 2.6 mm	8
05413628	Foro . Hole 2.8 mm	8
05413630	Foro . Hole 3.0 mm	8
05413632	Foro . Hole 3.2 mm	8
05413635	Foro . Hole 3.5 mm	8
05413638	Foro . Hole 3.8 mm	8
05413640	Foro . Hole 4.0 mm	8
05413645	Foro . Hole 4.5 mm	8
05413650	Foro . Hole 5.0 mm	8
072000	Testa P6 Head P6	10